

IN 40

The main frame is composed of marine grade Stainless Steel 316, Sophisticated and tiny design, Narrow beam optic offers efficient spot effect.



SPECIFICATION

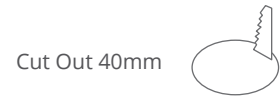
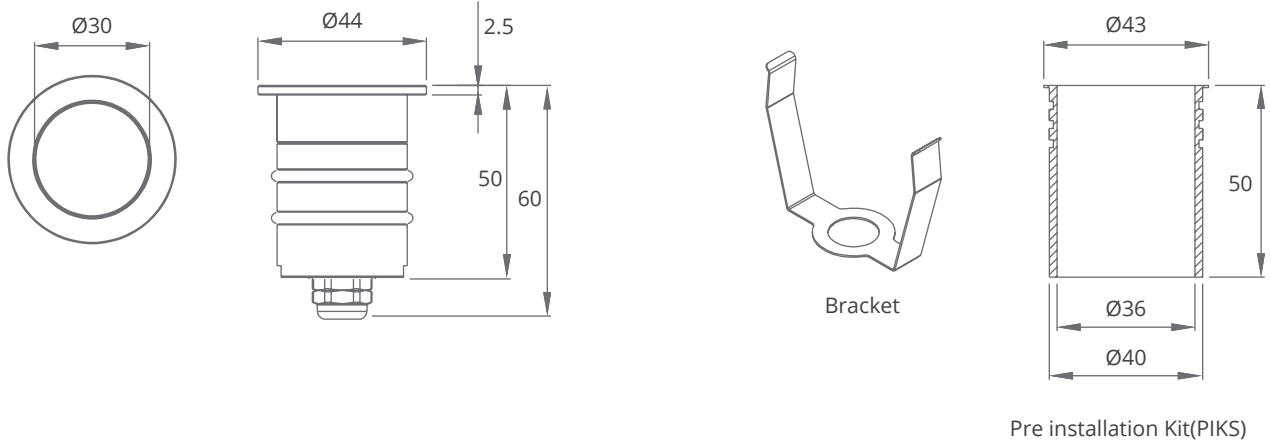
MODEL	UNDER WAVE IN 40
OPERATING VOLTAGE	12V DC, 24V DC
POWER CONSUMPTION	3W/ MAX
LED TYPE	High Power LED
COLOUR TEMP OPTION	2700K, 3000K, 4000K, 5000K, Mono Colour, RGB
CRI	80min
PRODUCT EFFICIENCY	72lm/W@3000K
FULL WIDTH AT HALF MAXIMUM (OPTICS)	9°, 15°, 20°, 25°, 40°, 60°, 120°
MATERIAL	Stainless Steel 316 + Tempered Glass
AMBIENT OPERATING TEMPERATURE	-20°C ~ +55°C
LUMEN MAINTENANCE	50,000 hours/L70 at 25°C
DIMENSIONS	Φ44*60(H)mm
CABLE LENGTH	500mm
CONTROL SYSTEM	ON/OFF, DMX, 0-10V Dim
IP RATING	Ip67

FEATURES & OPTIONS



- | | |
|----------------|-------------------|
| 01. CW | 09. RAL9005 |
| 02. NW | 10. IP67 |
| 03. WW | 11. ANTI-SALINE |
| 04. DW | 12. POLAR |
| 05. RGB | 13. DMX |
| 06. RAL9003 | 14. RFU |
| 07. GRMEN GREY | 15. RDM |
| 08. RAL7016 | 16. WIRELESS DATA |

DIMENSIONS



*all units are in mm

OPTIC SELECTION



LED	Lumens	Watts	Efficacy
WHITE	130.76	2.00	65.38

CenterBeamLux	Illuminance at Distance	
823.95 lx	0.5 m	
205.83 lx	1.7 m	
91.52 lx	2.5 m	
51.45 lx	3.3 m	
32.95 lx	4.2 m	
22.88 lx	5.0 m	

3000K

▪ Ver. Spread: 5.7° ▪ Horiz. Spread: 5.7°



LED	Lumens	Watts	Efficacy
WHITE	144.00	2.00	72.00

CenterBeamLux	Illuminance at Distance	
556.00 lx	0.5 m	
138.90 lx	1.7 m	
61.72 lx	2.5 m	
34.72 lx	3.3 m	
22.23 lx	4.2 m	
15.45 lx	5.0 m	

3000K

▪ Ver. Spread: 5.7° ▪ Horiz. Spread: 5.7°